

MEITRACK T333 User Guide



Change History


File Name	MEITRACK T333 User Guide	Created By	Owen Cheng
Project	T333	Creation Date	2014-06-10
		Update Date	2015-09-25
Subproject	User Guide	Total Pages	16
Version	V1.3	Confidential	External Documentation

Contents

1 Copyright and Disclaimer	- 4 -
2 Product Overview	- 4 -
3 Product Function and Specifications	- 4 -
3.1 Product Function	- 4 -
3.1.1 Position Tracking	- 4 -
3.1.2 Anti-Theft	- 4 -
3.1.3 Other Functions	- 5 -
3.1.4 Functions of Optional Accessories	- 5 -
3.2 Specifications	- 5 -
4 T333 and Accessories	- 6 -
5 Appearance	- 7 -
6 First Use	- 7 -
6.1 Installing the SIM Card	- 7 -
6.2 Charging	- 8 -
6.3 LED Indicator	- 8 -
6.4 Configured by Computer	- 8 -
6.5 Tracking by Mobile Phone	- 9 -
6.6 Common SMS Commands	- 10 -
6.6.1 Setting a Combined Function Phone Number – A71	- 10 -
6.6.2 Setting a Listen-in Phone Number – A72	- 10 -
6.6.3 Setting the Smart Sleep Mode – A73	- 11 -
7 MS03 Tracking System	- 11 -
8 Installing the T333	- 12 -
8.1 Installing GPS and 3G Antennas	- 12 -
8.2 Installing an I/O Cable	- 12 -
8.2.1 Power Cable/Ground Wire (Pin 1/2)	- 13 -
8.2.2 ACC and Door Detection (Pin 5/7)	- 14 -
8.2.3 Output (Pin 10/11)	- 14 -
8.2.4 Sensor Input	- 14 -
8.3 Installing the Handset (RS232 Port)	- 15 -
8.4 Installing the RFID Reader (RS232 Port)	- 15 -
8.5 Installing the Camera (RS232 Port)	- 16 -
8.6 Mounting the T333	- 16 -

1 Copyright and Disclaimer

Copyright © 2015 MEITRACK. All rights reserved.

 and  are trademarks that belong to Meitrack Group.

The user manual may be changed without notice.

Without prior written consent of Meitrack Group, this user manual, or any part thereof, may not be reproduced for any purpose whatsoever, or transmitted in any form, either electronically or mechanically, including photocopying and recording.

Meitrack Group shall not be liable for direct, indirect, special, incidental, or consequential damages (including but not limited to economic losses, personal injuries, and loss of assets and property) caused by the use, inability, or illegality to use the product or documentation.

2 Product Overview

The T333 is the latest vehicle tracker supporting the 3G (WCDMA) network. In addition to real-time tracking, the T333 has two-way calling and remote listen-in functions. The T333 provides excellent and stable performance in vehicle tracking and fleet management.

3 Product Function and Specifications

3.1 Product Function

3.1.1 Position Tracking

- GPS + GSM dual-module tracking
- Real-time location query
- Track by time interval
- Track by distance
- Direction change report
- Speeding alarm
- Track by mobile phone

3.1.2 Anti-Theft

- SOS alarm
- GPS antenna cut-off alarm
- External power supply cut-off alarm
- GPS blind spot alarm
- Remote vehicle fuel/power cut-off alarm
- Engine or vehicle door status alarm
- Towing alarm
- Geo-fence alarm
- Fuel monitoring

3.1.3 Other Functions

- SMS/GPRS (TCP/UDP) communication (Meitrack protocol)
- Built-in 8 MB buffer for recording driving routes (storing 8,192 GPRS cache, 256 SMS cache, and 131,072 GPS logs)
- Mileage report
- Low power alarm
- Build-in 3D acceleration sensor
- Support Over-the-Air (OTA)

3.1.4 Functions of Optional Accessories

Accessory		Function
iButton		Identify the driver ID and grant permission to start the vehicle.
A53 resistor voltage-output mode fuel sensor		Check fuel.
A52 digital temperature sensor + A61 sensor box		Check temperature.
Super magnet		Fix the device in place.
1 RS232 port	Handset	Used for two-way calling, SMS sending and receiving, and remote monitoring.
	Camera (Used with a Micro SD card)	Take photos.
	RFID reader	Identify drivers and control vehicle starting. Monitor driver attendance by RFID report.
	LED display	Display advertisements and announcements.
	A21 LCD display	Used for real-time vehicle scheduling and management.

3.2 Specifications

Item	Specifications
Dimension	105 mm x 65 mm x 26 mm
Weight	190g
Input voltage	DC 11 V to 36 V/1.5 A
Standby battery	850 mAh/3.7 V
Power consumption	8 mA standby current
Operating temperature	-20°C to 55°C
Operating humidity	5% to 95%
Working hour	100 hours in power-saving mode and 10 hours in normal mode
LED indicator	Green indicator showing the GSM signal Blue indicator showing the GPS signal
Button/Switch	1 SOS button (for sending SMSs or dialing) 1 power button
Memory	8 MB byte
Sensor	3D acceleration sensor (for wake-up by vibration and towing alarms)
Frequency band	T333-E: UMTS/HSDPA: 900/2100 MHz

	<p>GSM/GPRS: 900/1800 MHz</p> <p>T333-A: UMTS/HSDPA: 850/1900 MHz</p> <p>GSM/GPRS: 850/900/1800/1900 MHz</p> <p>T333-T: UMTS/HSDPA: 850/2100 MHz</p> <p>GSM: 850/900/1800/1900 MHz</p> <p>Note: Select proper device according to the local 3G (WCDMA) frequency band.</p>
GPS sensitivity	-161 dB
Positioning accuracy	10m
I/O port	<p>3 digital inputs (2 negative inputs and 1 positive input)</p> <p>2 analog detection inputs</p> <p>3 outputs</p> <p>1 RS232 port</p> <p>1 USB port</p> <p>1 digital temperature sensor port</p>

4 T333 and Accessories

T333 and standard accessories:



T333 with a built-in battery



GPS antenna



3G antenna



I/O cable + SOS button



USB cable



CD

Optional accessories:



Camera



Handset



RFID reader



A21 LCD display (dialing and SMS display)



A53 fuel sensor



A52 digital temperature sensor +
A61 sensor box



LED display



iButton

5 Appearance



6 First Use

6.1 Installing the SIM Card

To install the SIM card, perform the following operations:

1. Loosen the screw, and remove the front cover of the T333.
2. Insert the SIM card into the card slot with its gold-plated contacts facing towards the Printed Circuit Board (PCB).
3. Close the cover, and tighten the screw.

Note:

- Ensure that the SIM card has sufficient balance.
- Ensure that the phone card PIN lock has been closed properly.
- Ensure that the SIM card in the T333 has subscribed the caller ID service if you want to use your authorized phone number to call the T333.
- Power off the T333 before installing the SIM card.



6.2 Charging

When you use the T333 for the first time, connect the T333 GND (-Black) and Power (+Red) wires to 12 V or 24 V external power supply for charging. Ensure that the T333 is charged at least three hours. Eight hours are recommended.

The T333 can be installed on a vehicle only after it is configured and tested.

6.3 LED Indicator

Press and hold down the power button for 3s to 5s to start the T333.

GPS Indicator (Blue)	
Steady on	One button is pressed or one input is activated.
Blink (every 0.1s)	The T333 is being initialized or the battery power is low.
Blink (0.1s on and 2.9s off)	A GPS signal is received.
Blink (1s on and 2s off)	No GPS signal is received.
3G Indicator (Green)	
Steady on	A call is coming in or a call is being made.
Blink (every 0.1s)	The T333 is being initialized.
Blink (0.1s on and 2.9s off)	A base station signal is received.
Blink (1s on and 2s off)	No base station signal is received.

6.4 Configured by Computer

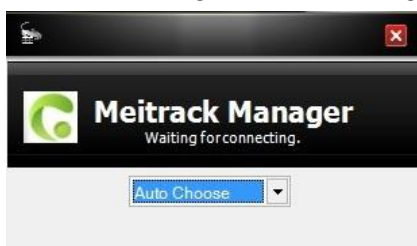
This section describes how to use Meitrack Manager to configure the T333 on a computer.

Procedure:

1. Install the USB-to-serial cable driver and Meitrack Manager.
2. Connect the T333 to a PC by using the USB-to-serial cable.



3. Run Meitrack Manager, then the following dialog box will appear:



Turn on the device, then Meitrack Manager will detect the device model automatically and the parameter page will appear

accordingly.

For details about Meitrack Manager, see the *MEITRACK Manager User Guide*.

6.5 Tracking by Mobile Phone

Call or send the **0000,A00** command by SMS to the T333 SIM card number. The device will reply an SMS with a map link.

Click the SMS link. The location will be displayed on Google Maps on your mobile phone.

Note: Ensure that the T333 SIM card number has subscribed the caller ID service. Otherwise, the caller ID will be blocked.

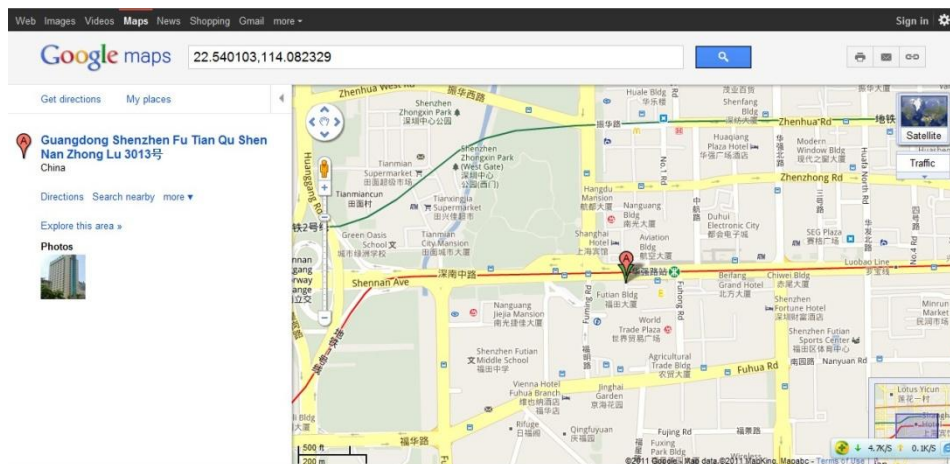


SMS example:

Now,061314 10:36,V,26,0Km/h,96%,http://maps.meigps.com/?lat=22.513781&lng=114.057183

The following table describes the SMS format:

Parameter	Description	Remarks
Now	Indicates the current location.	SMS header: indicates the alarm type.
061314 10:36	Indicates the date and time in MMDDYY hh:mm format.	None
V	The GPS is invalid.	A = Valid V = Invalid
26	Indicates the 3G signal strength.	Value: 1–32 The larger the value is, the stronger the signal is. If the value is greater than 12, GPRS reaches the normal level.
0Km/h	Indicates the speed.	Unit: km/h
96%	Indicates the remaining battery power.	None
http://maps.meigps.com/?lat=22.513781&lng=114.057183	This is a map link. Latitude: 22.513781 Longitude: 114.057183	None



6.6 Common SMS Commands

6.6.1 Setting a Combined Function Phone Number – A71

SMS sending: 0000,A71,Phone number 1,Phone number 2,Phone number 3

SMS reply: IMEI,A71,OK

Description:

Phone number: A phone number has a maximum of 16 bytes. If no phone numbers are set, leave them blank. Phone numbers are empty by default.

Phone number 1/2/3: SOS phone numbers. When you call the tracker by using these phone numbers, the tracker will reply an SMS with the location and send geo-fence alarms and low power alarms.

If all combined function phone numbers need to be deleted, send **0000,A71**.

When the SOS button is pressed, the tracker dials phone numbers 1, 2, and 3 in sequence. The tracker stops dialing when a phone number responds.

Example: 0000,A71,13811111111,13822222222,13833333333

Reply: 353358017784062,A71,OK

6.6.2 Setting a Listen-in Phone Number – A72

SMS sending: 0000,A72,Listen-in phone number 1,Listen-in phone number 2

SMS reply: IMEI,A72,OK

Description:

When you call the tracker by using the authorized listen-in phone number, the tracker will answer the call automatically and enter the listen-in state. In this way, the tracker will not make any sound.

A maximum of two phone numbers can be set. Each phone number has a maximum of 16 digits. If no phone numbers are set, leave them blank. Phone numbers are empty by default.

If no phone numbers are set and commas are remained, phone numbers set before will be deleted.

If all phone numbers need to be deleted, send **0000,A72**.

Example: 0000,A72,13844444444,13855555555

Reply: 353358017784062,A72,OK

6.6.3 Setting the Smart Sleep Mode – A73

SMS sending: 0000,A73,Sleep level

SMS reply: IMEI,A73,OK

Description:

When the sleep level is **0** (default value), disable the sleep mode.

When the sleep level is **1**, the tracker enters the normal sleep mode. The 3G module always works, and the GPS module occasionally enters the sleep mode. The tracker works 25% longer in the normal sleep mode than that in the normal working mode. This mode is not recommended for short interval tracking; this will affect the route precision.

When the sleep level is **2**, the tracker enters deep sleep mode. If no event (SOS, button changes, incoming calls, SMSs, or vibration) is triggered after five minutes, the GPS module will stop, and the 3G module will enter sleep mode. Once an event is triggered, the GPS and 3G modules will be woken up.

Note: In any condition, you can use an SMS command to disable the sleep mode, and then the tracker exits the sleep mode and returns back to the normal working mode.

Example: 0000,A73,2

Reply: 353358017784062,A73,OK

For details about SMS commands, see the *MEITRACK SMS Protocol*.

Note:

1. The default SMS command password is **0000**. You can change the password by using Meitrack Manager and SMS commands.
2. The device can be configured by SMS commands with a correct password. After an authorized phone number is set, only the authorized phone number can receive the preset SMS event report.

7 MS03 Tracking System

Visit <http://ms03.trackingmate.com>, enter the user name and password, and log in to the MS03. (Purchase the login account from your provider.)

For more information about how to add a tracker, see the *MEITRACK GPS Tracking System MS03 User Guide* (chapter 4 "Getting Started").

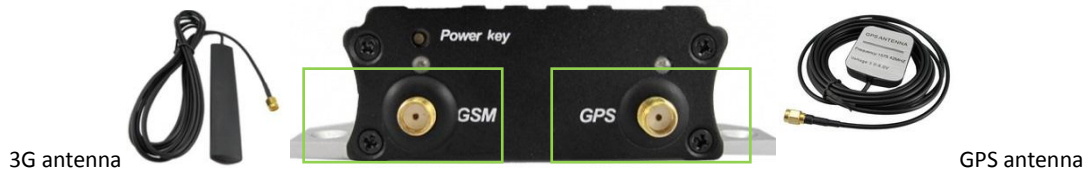
The MS03 supports the following functions:

- Track by time interval or distance.
- Query historical traces.
- Set polygon geo-fences.
- Bind driver and vehicle information.
- View various reports.
- Send commands in batches.
- Support OTA updates.

For details, see the *MEITRACK GPS Tracking System MS03 User Guide*.

8 Installing the T333

8.1 Installing GPS and 3G Antennas



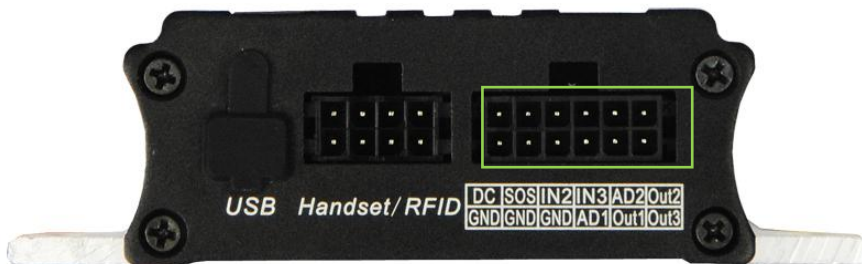
Connect the 3G antenna to the connector which is labeled "GSM". The 3G antenna is non-directional, so you can hide it in any place of a vehicle.

Connect the GPS antenna to the connector which is labeled "GPS". It is recommended that the antenna is facing up to the sky and the antenna side with words is downwards. Secure the antenna by using double sided tapes.

Note: Do not install the GPS antenna at a place with metal.

8.2 Installing an I/O Cable

The I/O cable is a 12-pin cable, including the power, analog input, digital temperature sensor input, and negative/positive input and output.



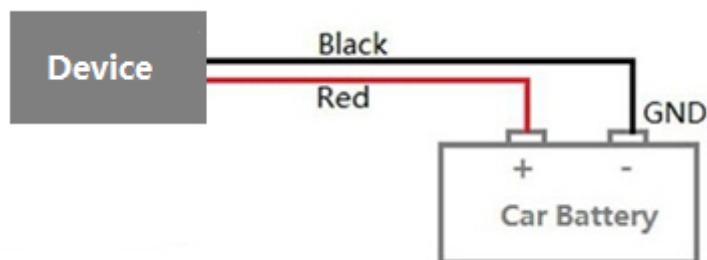
1 Power (+)	3 Input 1	5 Input 2	7 Input 3	9 Fuel sensor	11 Output 2
2 GND (-)	4 GND (-)	6 GND (-)	8 AD input 1	10 Output 1	12 Digital Temperature Sensor

Pin Number	Color	Description
1 (Power +)	Red	Positive charge of the power input, connected to the positive charge of the vehicle storage battery. Input voltage: 11 V to 36 V. 12 V is recommended.
2 (GND)	Black	Ground wire, connected to the negative charge of the vehicle storage battery or to the negative terminal.
3 (Input 1)	White	Digital input 1, negative trigger (SOS button by default)
4 (GND)	Black	Ground wire, connected to input 1 (SOS button)
5 (Input 2)	White	Digital input 2 (negative trigger) Connect to a door trigger signal cable to detect vehicle door status. (Most Chinese, Korean, and Japanese cars are negative edge-triggered.)
6 (GND)	Black	Ground wire It can be used as a ground wire connected to an analog sensor.

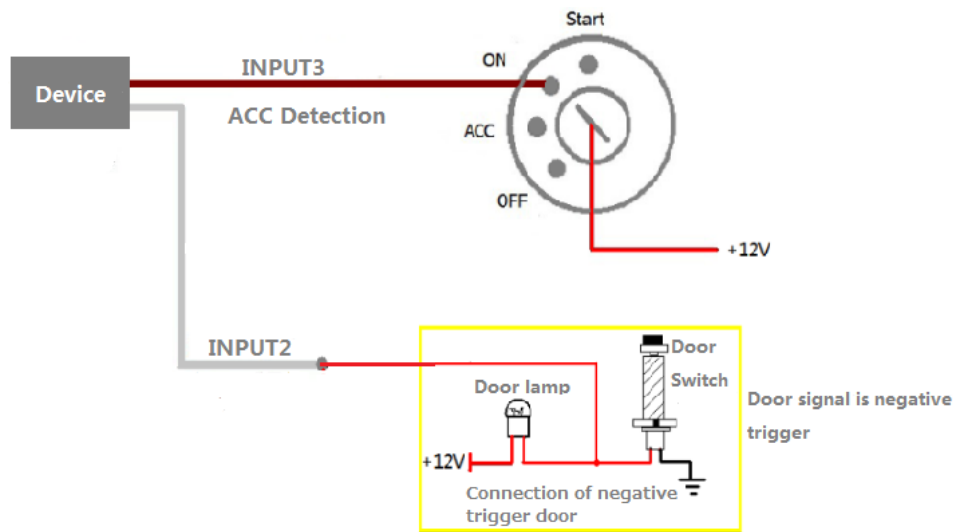
7 (Input 3)	White	Digital input 3 (positive trigger) Connect to the vehicle ACC cable by default to detect the vehicle ACC status.
8 (AD Input 1)	Blue	Analog input 1 with 12-bit resolution and valid voltage 0–6.6 V Connect to an external sensor, such as the fuel sensor.
9 (Fuel sensor input)	Blue	Analog input 2 with 12-bit resolution and valid voltage 0–6.6 V The AD cable is connected to the white plug. The cable is connected to the A53 fuel sensor by default.
10 (Output 1)	Yellow	Output 1 Valid: low level (0 V) Invalid: open collector Maximum voltage for output open collector (invalid): 40 V Maximum current for output low voltage (valid): 400 mA Connect to an external relay to remotely cut off the vehicle fuel cable or engine power supply.
11 (Output 2)	Yellow	Output 2 Valid: low level (0 V) Invalid: open collector Maximum voltage for output open collector (invalid): 40 V Maximum current for output low voltage (valid): 400 mA Connect to an external relay to remotely cut off the vehicle fuel cable or engine power supply.
12 (Digital temperature sensor or iButton input port)	Yellow	TTL3.3V level Connect to the A52 digital temperature sensor or iButton by default by using the A61 sensor box. Note: The DC or AC voltage that is greater than 3.3 V is not allowed. Otherwise, the device may be damaged.

8.2.1 Power Cable/Ground Wire (Pin 1/2)

Connect the power cable (red) and ground wire (black) to the positive and negative charges of the vehicle battery respectively.

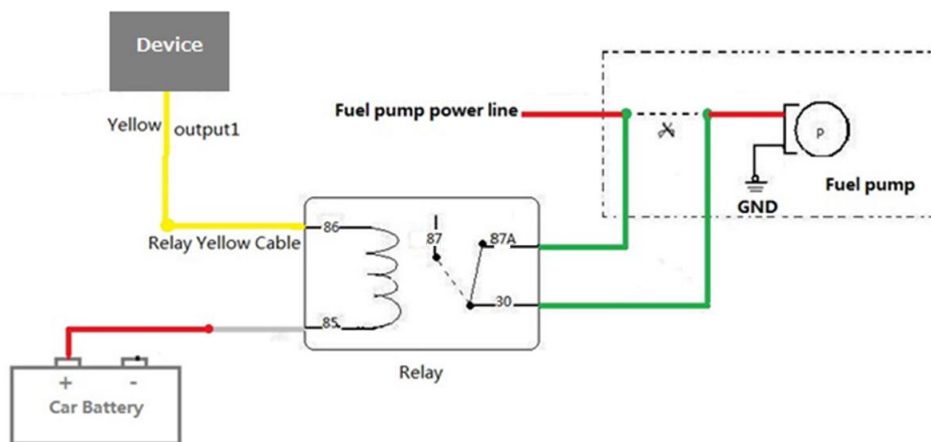


8.2.2 ACC and Door Detection (Pin 5/7)



Note: If input 3 is connected to the "ACC" position, after the engine is started, the platform will read it as ON-OFF-ON. If input 3 is connected to the "Start" position, after the engine is started, the platform will read it as OFF-ON-OFF. If installed correctly, after the engine is started, the platform will read it as OFF-ON.

8.2.3 Output (Pin 10/11)



Note: To implement remote fuel and power cut-off, connect the relay to the fuel pump cable or the engine cable in series.

8.2.4 Sensor Input

For pin 8 analog input 1, a sensor whose output voltage ranges from 0 V to 6.6 V can be installed. The analog voltage calculation formula is as follows:

$$\text{Voltage} = (\text{AD} \times 3.3 \times 2) / 4096$$

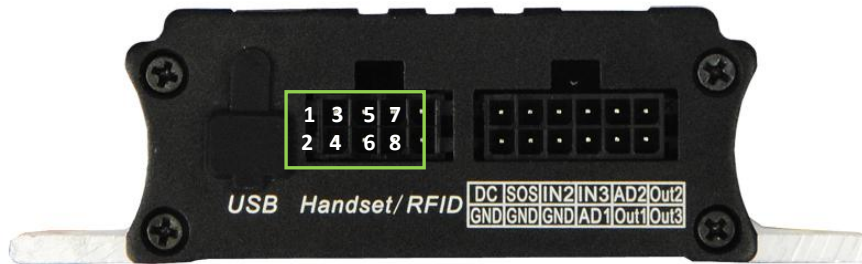
Pin 10 is connected to the A53 fuel sensor by default. You can install the sensor without calculation formula added on the platform. For details, see the *A53 Fuel Sensor User Guide*.

Pin 12 is connected to A61+A52 temperature sensor or iButton by default. For details, see the *Meitrack Temperature Sensor User Guide* and *Meitrack iButton User Guide*.

Note:

- The white plug on the T333 harness consists of the power cable (red), ground wire (black), AD2 cable (blue), and SEN cable (blue).
- The T333 can connect to a maximum of two A61 sensor boxes. You can install a maximum of eight A52 temperature sensor ports. For details, see the *MEITRACK Temperature Sensor User Guide*.

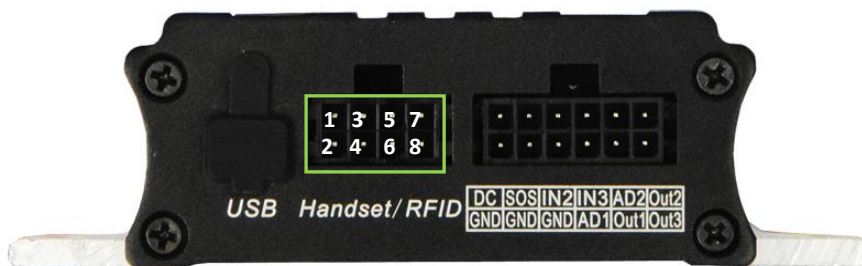
8.3 Installing the Handset (RS232 Port)



Pin Number	Color	Description
1	Red	Power output Output voltage: 5 V
2	Black	Ground wire
3	Orange	RX, T333 receiving data from the handset.
4	Yellow	TX, T333 sends data to the handset.
5	Blue	Positive charge of the microphone
6	Green	Negative charge of the microphone
7	Purple	Positive charge of the loudspeaker
8	White	Negative charge of the loudspeaker

Note: The RS232 port can be used with either the RFID reader or the camera at a time.

8.4 Installing the RFID Reader (RS232 Port)

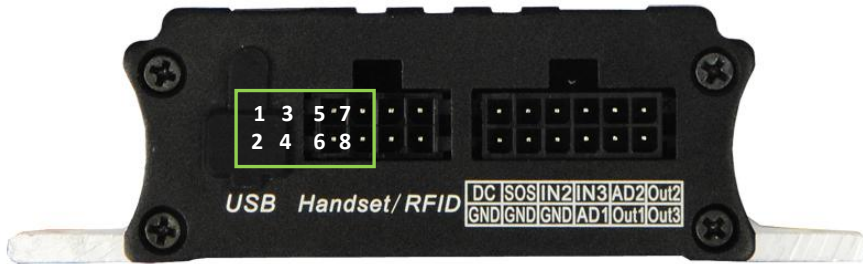


Pin Number	Color	Description
1	Red	Power output Output voltage: 5 V
2	Black	Ground wire
3	Green	RX, T333 receives data from the RFID reader.
4	White	Reserved (TX, T333 sends data to the RFID reader.)
Remarks: The T333 RFID reader is not compatible with the MVT600 RFID reader. In the MVT600, the RS232		

port is a Wiegand port.

Note: The RS232 port can be used with either the handset or the camera at a time.

8.5 Installing the Camera (RS232 Port)



Pin Number	Color	Description
1	Red	Power output Output voltage: 5 V
2	Black	Ground wire
3	Green	RX, T333 receives data from the camera.
4	White	TX, T333 sends data to the camera,

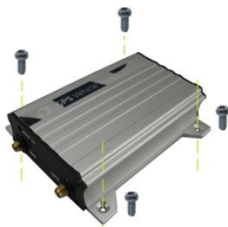
Pin 8 connects to the T333, and pin 4 connects to the camera.



Note: The RS232 port can be used with either the handset or the RFID reader at a time.

8.6 Mounting the T333

Tighten the four screws shown in the following figure.



If you have any questions, do not hesitate to email us at info@meitrack.com.