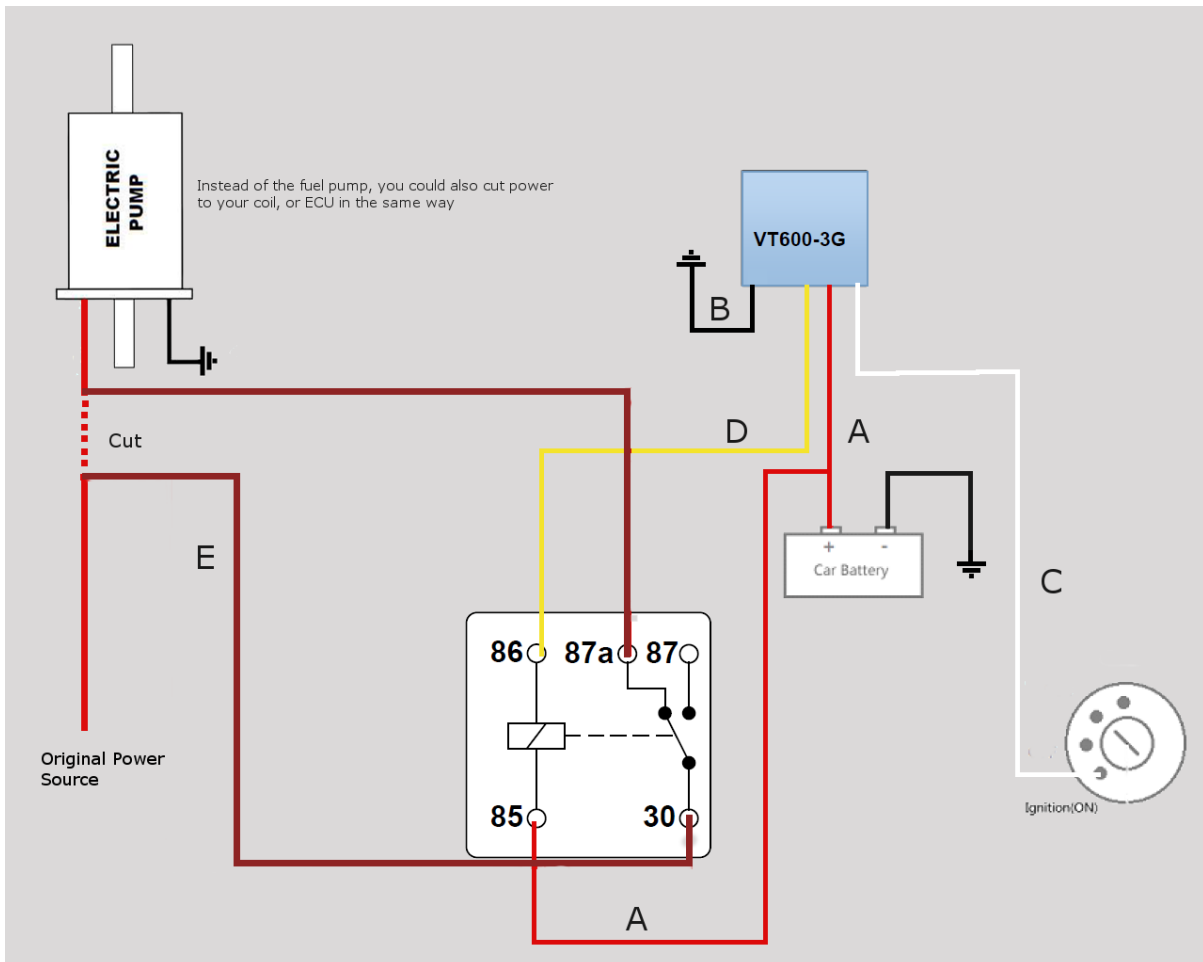
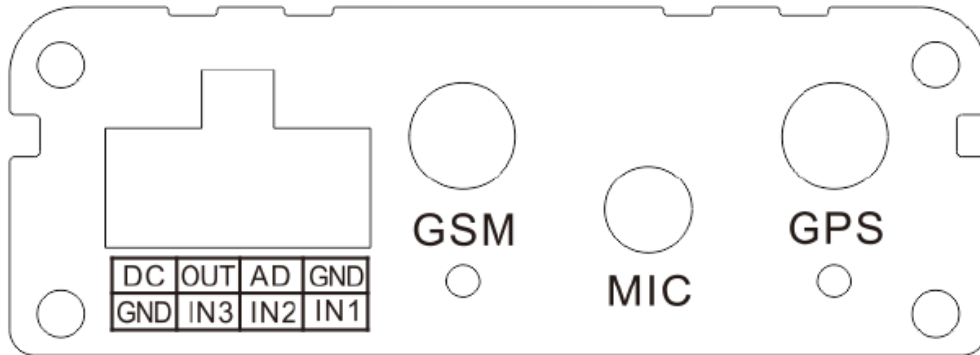




Mustrack VT600 Wiring Quick Guide

PINs Connector



A:

- Connect the Red wire from the tracker to a permanent (active even when ignition is off) 12V source
- Also connect Pin 85 of the relay to the same source
- Often there is a source of permanent 12V to the stereo to keep it's memory. The ignition switch will also have a permanent 12V wire connected to it.

B:

- Connect the black wire to a good chassis ground

C:

- Connect the In3 white wire to an ignition source. This notifies the tracker when the ignition is turned on. You could also use an Accessories wire, which you will also find going to the stereo, or other device that is powered on via the accessories position on the ignition switch.

D:

- Connect the yellow (Out1 for VT900) wire from the tracker to Pin86 of the relay. This wire will engage the relay when you send the vehicle disable command

E:

- Find the power wire to your fuel pump, coil, ECU, or other item you will use to disable the vehicle. On a carburetted vehicle, the coil is probably the best option since disabling an electric fuel pump will still allow the vehicle to move using fuel in the carb bowls.
- Cut the power wire, then connect one side of the wire to pin 30 of the relay, and the other side to pin 87a.